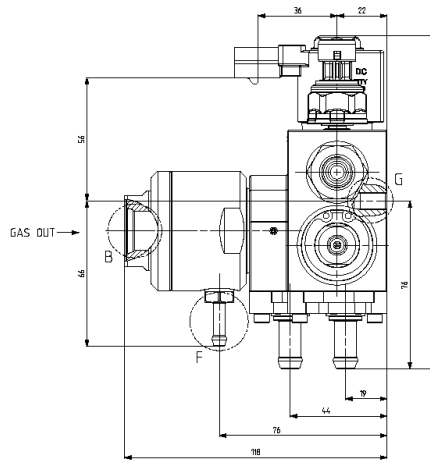
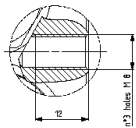
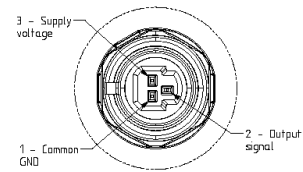


DETAIL G  
SCALE 2:1  
FIXING HOLE DETAIL

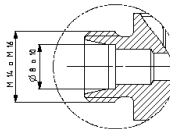


DETAIL C  
SCALE 2:1

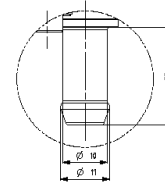
PRESSURE SENSOR CONNECTOR DETAIL  
Packard metri-pack series 150P2S



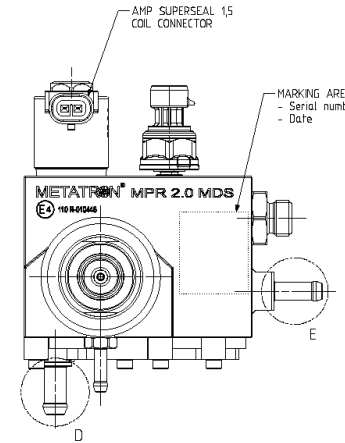
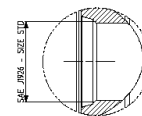
DETAIL A  
SCALE 2:1  
INLET FITTING DETAIL  
UN EN ISO R4-34-1  
L SERIES



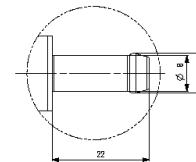
DETAIL D  
SCALE 2:1  
ENGINE COOLANT HOSE FITTING



DETAIL B  
SCALE 2:1  
OUTLET DETAIL  
SAE J1926



DETAIL E  
SCALE 2:1  
PRESSURE RELIEF VALVE FITTING



DETAIL F  
SCALE 2:1  
INTAKE MANIFOLD CONNECTION FITTING

