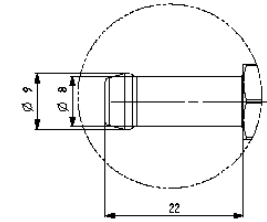
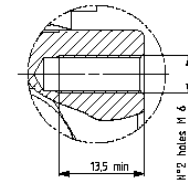


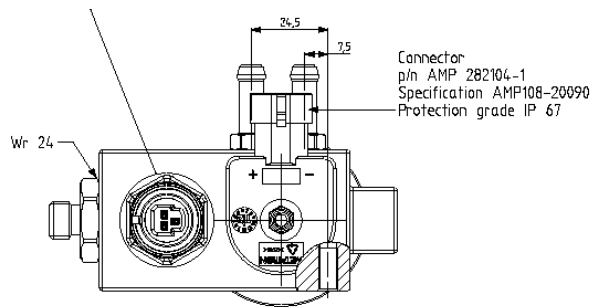
DETAIL F
SCALE 2:1
HEATING FLUID INLET & OULET
RUBBER PIPE ID 8 mm



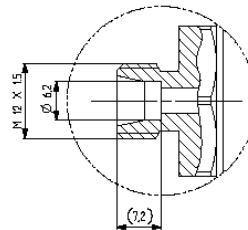
DETAIL G
SCALE 2:1
FIXING HOLES DETAIL



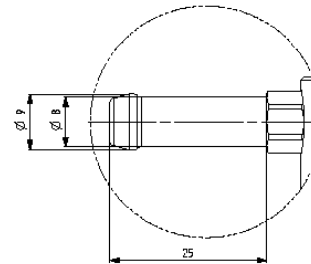
Wiring connector: Delphy-Packard
3 way Metri-Pack 150 Sealed p/n 12065286
Random orientation



DETAIL C
SCALE 2:1
INLET GAS FITTING DETAIL
ISO 8434-1



DETAIL E
SCALE 2:1
INTAKE MANIFOLD CONNECTION



DETAIL D
SCALE 2:1
OUTLET GAS FITTING DETAIL
(Metatron STD)

